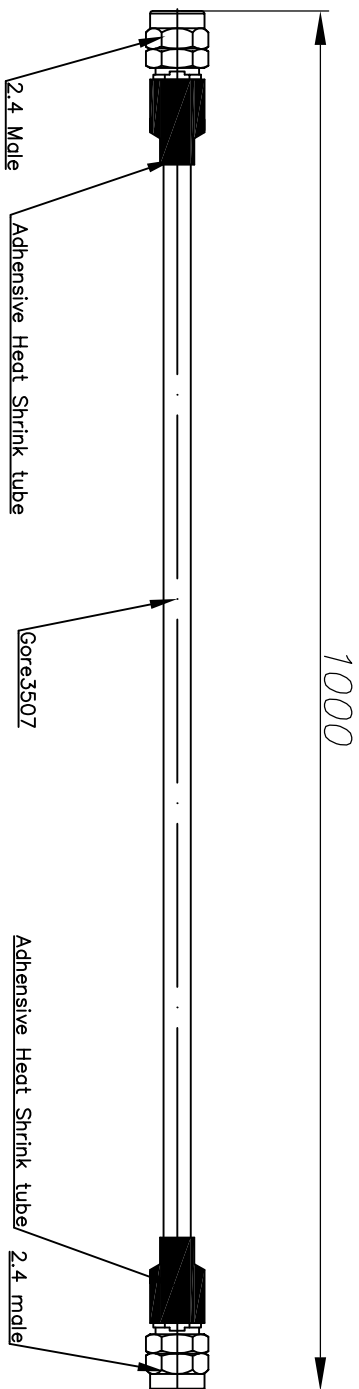


This document contains proprietary information and such information may not be disclosed to others for any purposes, not used for sales/marketing/procurement purposes without written permission

REV	DESCRIPTION OF REVISION	ECN NO.	BY	DATE	APPROVED
A	Initial Release			13/12/16	13/12/16



**1 Electrical**

- 1.1 Impedance: 50Ω
- 1.2 Frequency: DC-50GHz
- 1.3 VSWR: 1.3:1
- 1.4 Insulation resistance: ≥5000MΩ
- 1.5 Dielectric withstanding voltage: 1000V (volts RMS)

**2 Material & Finish**



- 3.1 Pin contact: Beryllium-Copper, gold plated
- 3.2 Body: Stainless Steel, Passivated
- 3.3 Insulators: PBI

**4 Interface Standards**

- 4.1 2.4 IBBB STD 287-2007

**Notes:**

- 1. ALL SPECIFICATIONS ARE SUBJECT TO CHANGE NOTICE AT ANY TIME
- 2. CUSTOMER OUTLINE DRAWING FOR REFERENCE ONLY

<b>DRAWN:</b>	<b>TITLE:</b>	
<b>ENGINEER:</b>	Cable Assembly	
<b>APPROVED:</b>	2.4 Male to 2.4 Male Gore3507 Cable L=1000mm	 DIMENSION IN MILLIMETERS (mm)
<b>TOLERANCES UNLESS OTHERWISE SPECIFIED</b>	<b>PART NO:</b> TRL-ZU16121207	
X ±0.30 XX ±0.20 ANGLES 3°	<b>SIZE:</b> A4	<b>SCALE:</b> N/A
	<b>SHEET:</b> 1/1	<b>REV:</b> A